

# MISCELLANEOUS APPLIANCE

MISC. APPLIANCE PARTS

## 180022E01

**Bolt, Burner Valve**  
1/2" L x 1/4" dia. threads  
Used on 95% of Harper Wyman burner valves



## 183009E01

**Bolt, Burner Valve**  
5/8" L x 3/16" dia. threads  
Used on: 1832, 1836, 1842, 1846  
M series mini burner valves



## 700051E01

**Bolt, Pilot Assembly**  
1/2" L x 1/4" dia. threads  
Used on bolt-thru top pilot assemblies



## 601782E01

**Bolt, Thermostat**  
No flange nipple is used  
Used on: 5362, 5363, 5392, 5393, 5396, 5397 class thermostats



## ER3600

**Broiler, Pan & Grid**  
Broiler Pan: 12-3/4" wide x 16-1/2" deep  
Grid: 12-7/8" wide x 15-1/4" deep



## 40A15

**Bulb, Appliance**  
40w, 115V



Suitable for refrigerators or ranges

## 8206232

**Bulb, Microwave**  
40w, 130V



**NEW**

## GGC300

**Cleaner, Gas Grate**  
22 oz.



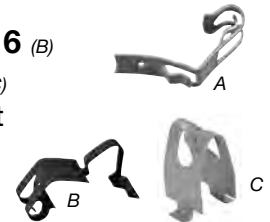
Removes burnt-on food from grates, cook tops, and bowl pans.

## 0088050 (A)

**5303284616 (B)**

**1804C66 (C)**

**Clip, Diastat**



Used for mounting the oven temperature bulb to the oven cavity

## 61241

**Cord, Range**  
48", 3-wire  
250V, 50 amp



## Connectors, Range Flex Gas (Stainless Steel)

### 5/8" OD x 1/2" ID w/ FITTINGS

- 304141** (A) 3/4" MIP steel x 3/4" MIP steel
- 303141** (A) 3/4" MIP steel x 1/2" MIP steel
- 303131** (A) 1/2" MIP steel x 1/2" MIP steel
- 304242** (B) 3/4" FIP steel x 3/4" FIP steel
- 303242** (B) 3/4" FIP steel x 1/2" FIP steel
- 303232** (B) 1/2" FIP steel x 1/2" FIP steel
- 304132** (C) 1/2" FIP steel x 3/4" MIP steel
- 304142** (C) 3/4" FIP steel x 3/4" MIP steel
- 303142** (C) 3/4" FIP steel x 1/2" MIP steel
- 303132** (C) 1/2" FIP steel x 1/2" MIP steel
- 304144** (D) 3/4" FIP steel x 3/4" FIP elbow
- 30C3132** (yellow safety coated) 1/2" FIP steel x 1/2" MIP steel



### 5/8" OD x 1/2" ID w/ VALVES

- 304245** (E) 3/4" FIP steel x 3/4" FIP steel
- 303135** (F) 1/2" MIP steel x 1/2" FIP ball
- 303145** (F) 1/2" MIP steel x 3/4" FIP ball

### 1/2" OD x 3/8" ID w/ FITTINGS

- 203131** (G) 1/2" MIP steel x 1/2" MIP steel
- 203232** (H) 1/2" FIP steel x 1/2" FIP steel
- 203132** (I) 1/2" FIP steel x 1/2" MIP steel

In accordance with A.G.A.-C.G.A. regulations, all flexible connectors must be sold with attached fittings. Please select from the list at the right the appropriate outside dimension (OD), fitting combinations, & desired length. Our gas flexes are sold in 36", 48" and 60" lengths. Please specify the order number plus the desired connector length. (examples: 304141-36, 303131-48, 203135-60).



**CALL FOR PRICING**

CURRENT PRICING CAN BE FOUND ON OUR WEBSITE

All logos, trademarks, part numbers, photos & illustrations are intended solely for identification. Items offered for sale are not represented to be manufactured by the company that built the original equipment.

PHONE: 800-843-0903 • FAX: 800-344-1848 • WEB: www.pdqsupplyinc.com • FB: facebook.com/pdqsupplyinc

# MISCELLANEOUS APPLIANCE

## D103

### Drier, Spun Copper

1" dia.  
inlet: 1/4"  
outlet: 1/4"



Directional  
Regular duty with rubber plug ends

## D109

### Drier, Spun Copper

3/4" dia.  
inlet: 1/4"  
outlet: 1/4"



Non-Directional  
Economy with extended and fused ends

## D110

### Drier, Spun Copper

3/4" dia.  
inlet: 1/4"  
outlet: 1/4" + cap



Directional  
Heavy duty with large cup screens for additional filtration.  
Fused and scored ends

## D111

### Drier, Spun Copper

1" dia.  
inlet: 1/4"  
outlet: 1/4" + cap  
process tube: 3/16"



Directional  
Heavy duty with Schrader to evacuate or charge the system.  
Fused and scored ends

## D112

### Drier, Spun Copper

1" dia.  
inlet: 5/16"  
outlet: 5/16" + cap



Directional  
Heavy duty with large cup screens for additional filtration.  
Fused and scored ends

## D113

### Drier, Spun Copper

1" dia.  
inlet: 1/4"  
outlet: 1/4" + cap  
process tube: 1/4"



Directional  
High capacity service drier with access fitting tube.  
Fused and scored ends

## D114

### Drier, Spun Copper

1" dia.  
inlet: 1/4" swaged  
outlet: 1/4" + cap



Directional  
High capacity - Fused and scored ends.

## D115

### Drier, Spun Copper

3/4" dia.  
inlet: 1/4"  
outlet: 1/4" + cap  
process tube: 3/16"



Directional  
Economy with Schrader to evacuate or charge the system.  
Fused and scored ends

## 1455E

### Filler, Porcelain



Fills scratches and dings on your appliance's porcelain finish.

## Fittings, Compression

All sizes are the OD tubing size

- 612** 1/8"
- 613** 3/16"
- 614** 1/4"
- 616** 3/8"
- 602** 1/8"
- 603** 3/16"
- 604** 1/4"
- 606** 3/8"



- 4590-065** 1/8"
- 4590-067** 3/16"
- 4590-069** 1/4"
- 4590-071** 3/8"



- 902031** Male union  
1/2" male flare x 1/2" MIP  
Tapped 3/8" FIP

## Fitting, Gas Dryer

1/2" OD Tube

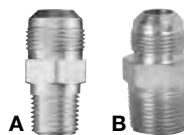


- 903031** (A) Male union  
15/16" male flare x 1/2" MIP  
Tapped 3/8" FIP

- 903041** (B) Male union  
15/16" male flare x 3/4" MIP  
Tapped 1/2" FIP

## Fitting, Gas Range

5/8" & 7/8" OD Tube (15/16"-16 thread)



- 661FHD67** (A)  
3/8" male flare x 7/16" female flare

- BAF375** (B)  
Used with 2-wire safety valves  
3/8" fine thread

## Fitting, Specialty



CURRENT PRICING CAN BE FOUND ON OUR WEBSITE

All logos, trademarks, part numbers, photos & illustrations are intended solely for identification. Items offered for sale are not represented to be manufactured by the company that built the original equipment.

PHONE: 800-843-0903 • FAX: 800-344-1848 • WEB: www.pdqsupplyinc.com • FB: facebook.com/pdqsupplyinc

# MISCELLANEOUS APPLIANCE

MISC. APPLIANCE PARTS

**819043**

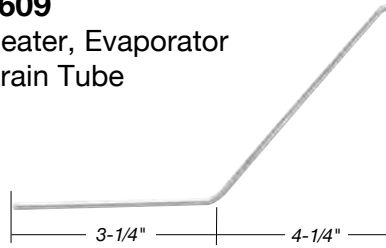
Heater, Evaporator Drain Tube



Prevents ice build-up in the drain tube

**3609**

Heater, Evaporator Drain Tube



Prevents ice build-up in the drain tube

**4590022**

Knob, Thermostat



"D" POSITION  
WHEN KNOB IS  
VIEWED FROM BACK  
IN OFF POSITION.



Used on standard or reverse-D applications

**4590764**

Kit,  
Electric Range Knob

Kit includes:  
5 knobs, 8 surface inlays  
(4-CW, 4-CCW), 2 thermostat  
inlays marked 150-500° broil  
(1-CW, 1-CCW), and 25  
colored inserts (5 of each):  
blue, green, gray, red & yellow



Can be used on standard  
or reverse-D applications

**4590211**

Knob,  
Gas Range Kit

Kit includes:  
5 knobs, 5 short 4-way white inserts, 5 long 4-way black inserts,  
4 blank top burner knob overlays, 1 oven knob overlay marked  
low-550° Broil, 1 oven knob low temp overlay marked 140-550° Broil



Can be used on standard  
or reverse-D applications

**EM241**

Motor, Evaporator Fan  
Universal

3/4" shaft length  
Shaft dia: Hub  
CW/CCW rotation



**EM244**

Motor, Evaporator Fan  
Universal

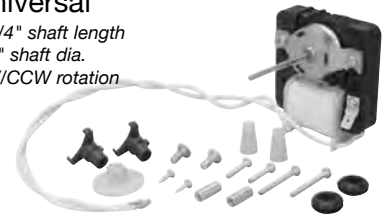
1-1/8" shaft length  
1/8" shaft dia.  
CW/CCW rotation



**EM245**

Motor, Evaporator Fan  
Universal

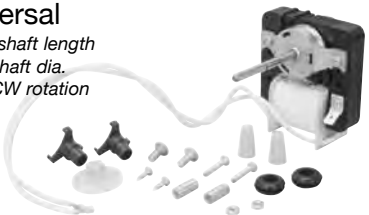
1-3/4" shaft length  
1/8" shaft dia.  
CW/CCW rotation



**EM247**

Motor, Evaporator Fan  
Universal

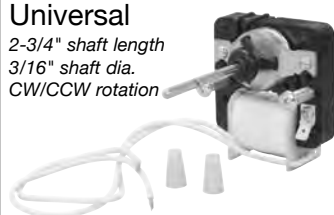
1-3/4" shaft length  
3/16" shaft dia.  
CW/CCW rotation



**EM248**

Motor, Evaporator Fan  
Universal

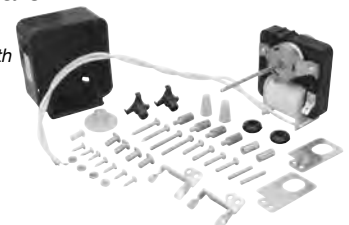
2-3/4" shaft length  
3/16" shaft dia.  
CW/CCW rotation



**EM249**

Motor, Evaporator  
Fan Universal

Break away shaft length  
1/8" shaft dia.  
CW/CCW rotation



Has bolt-on brackets

**PWN1214** 12-14 gauge

**PWN1618** 16-18 gauge

Nut, High Temp.  
Porcelain Wire



**10043** (A) .014 drill size

For Robertshaw oven pilots  
#40, 41, 42, 43, 70, 71

**581035D0178** (B) .016 drill size

For Harper Wyman oven pilots  
#5412, 5413, 5414, 5415

Orifice, Natural or LP Gas



**388** surface mount

**3860** flush mount

Receptacle, Dryer

120/240V, 30 amp  
3 pole, 3 wire



Pass & Seymour

Flush

Surface

CURRENT PRICING CAN BE FOUND ON OUR WEBSITE

All logos, trademarks, part numbers, photos & illustrations are intended solely for identification. Items offered for sale are not represented to be manufactured by the company that built the original equipment.

PHONE: 800-843-0903 • FAX: 800-344-1848 • WEB: [www.pdqsupplyinc.com](http://www.pdqsupplyinc.com) • FB: [facebook.com/pdqsupplyinc](https://facebook.com/pdqsupplyinc)

# MISCELLANEOUS APPLIANCE

MISC. APPLIANCE PARTS

**385** surface mount  
**3890** flush mount  
 Receptacle, Range  
 120/240V, 50 amp  
 3 pole, 3 wire

Pass & Seymour



Flush

Surface

**HS410**  
 Relay,  
 3-in-1 Hard Start  
 1/4 - 1/3 HP



Completely pre-wired  
 Quick & easy installation  
 Replaces: relay, overload & start capacitor.  
 Provides additional boost to the compressor of old refrigerators & freezers.

**HS810**  
 Relay,  
 3-in-1 Hard Start  
 1/12 - 1/5 HP



Completely pre-wired  
 Quick & easy installation  
 Replaces: relay, overload & start capacitor.  
 Provides additional boost to the compressor of old refrigerators & freezers.

## REPAIRS. (do it yourself)

Manuals, Cheap-N-Easy Repair

**EBDW** Dishwasher repair

**EBHR** Refrigerator repair

**EBGW** Washer repair for GE/Hotpoint

**EBOC** Oven & cooktop repair

**EBHD** Dryer repair

**EBWW** Washer repair for Whirlpool

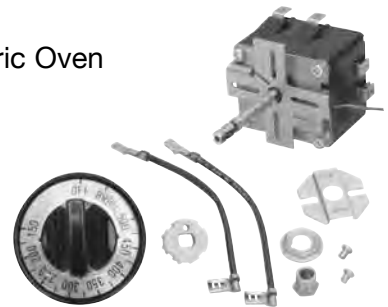
Written especially for trade schools, DIY'ers, and other "green technicians"



**ML45** CI 45°-CO 25°  
**ML50** CI 50°-CO 30°  
**ML55** CI 55°-CO 35°  
**ML60** CI 60°-CO 40°  
**ML70** CI 70°-CO 50°  
 Thermostat,  
 Universal Defrost  
 10 amp, 24" lead wires



**6700S0011**  
 Thermostat, Electric Oven



**1125E** white glaze  
**1126E** white  
**1440E** bisque  
 Touch-Up,  
 Porcelain



Lead free, heat proof,  
 and can withstand  
 temps up to 400°F

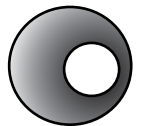
**215667501**  
 Tray, Ice Cube  
 12" x 4-1/2"



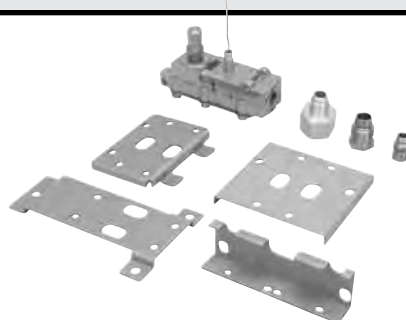
Heavy duty construction

Tubing, Aluminum 50 foot roll

**11191-50** 1/8" dia.  
**11192-50** 3/16" dia.  
**11193-50** 1/4" dia.  
**11195-50** 3/8" dia.  
**11196-50** 7/16" dia.



**5817S0007**  
 Valve, Safety Universal



Kit includes: (1) side  
 mounting bracket, (3) bottom mounting  
 brackets, and all fittings shown. Will replace  
 90% of all 5817 series safety valves.

**ERTB123A**  
 Wrench, Tub Nut



Removes tub nut from  
 washing machine

CURRENT PRICING CAN BE FOUND ON OUR WEBSITE

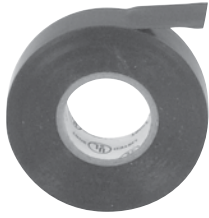
All logos, trademarks, part numbers, photos & illustrations are intended solely for identification. Items offered for sale are not represented to be manufactured by the company that built the original equipment.

PHONE: 800-843-0903 • FAX: 800-344-1848 • WEB: www.pdqsupplyinc.com • FB: facebook.com/pdqsupplyinc

# MISCELLANEOUS

MISCELLANEOUS SUPPLIES

**50059**  
Tape, Electrical



3/4" x 60 ft.  
Black, all-weather  
**Must be purchased in multiples of 10**

**A102**  
Trap, Mouse & Insect (Glue)



2 baited disposable glue traps  
Non-toxic, non-poisonous, odorless  
Child safe, no springs



**A402**  
Trap, Rat & Mouse Glue



2 baited disposable glue traps  
Non-toxic, non-poisonous, odorless  
Child safe, no springs



**10011WD**  
WD-40, Smart Straw  
11 oz.



Fold straw down for regular spray,  
fold straw up for stream



[www.pdqsupplyinc.com](http://www.pdqsupplyinc.com)



**"LIKE" us on Facebook!**  
Go to our website and click  
the Like button on the right.

**PRICING** on all items in this catalog can be found online. Become a registered user of our website and you'll have access to pricing, create yourself on-line orders, get special pricing on our item of the month and much more.

*Only registered users of our website are allowed access to pricing.*



**55425** 2 wide  
**55427** 3 wide  
Brush, Disposable



Wood handle

**ATC3**  
Fuse, ATC Blade-Type



3 amp, color: violet  
Other fuses available special order  
**Must be ordered in multiples of five**

**770**  
Gloves,  
Disposable



Box of 100 gloves  
Light duty unsupported vinyl  
Resists most household chemicals  
Excellent for painting, refinishing  
and general cleaning purposes



**66**  
Gloves, Gripper



Knit glove with a textured  
rubber coating on the palm & fingertips  
Knit wrist to keep out dirt

**99**  
Gloves, Gripper



Acrylic knit glove with PVC dots

**14LJ**  
Gloves,  
Jersey



Brown jersey slip-on glove with  
red cotton lining  
Straight thumb, gunn cut & open cuff

**7792**  
Gloves,  
Jersey



Men's brown jersey glove  
Straight thumb, clute cut and knit cuff

**775**  
Gloves,  
Latex



Medium duty, 12" gauntlet cuff  
Unsupported rubber latex glove w/ flock lining

**7731**  
Gloves,  
Leather  
Palms



Lightweight suede cowhide in key areas  
Has wing thumb, gunn cut & cotton back  
Gathered elastic strap for a snug fit

**DVC202**  
LintEater  
12 ft. reach

**EXT12FT**  
Kit, Extention  
(4) 36" flexible rods



This rotary dryer vent cleaning  
system easily attaches to your  
cordless drill and removes lint  
build-up in your dryer vent. It  
will safely clean metal, foil and  
white vinyl dryer vents.



**16-001** Gray, Qty: 150  
Min: 1 #20 with 1 #22 • Max: 2 #16

**16-002** Blue, Qty: 150  
Min: 3 #22 • Max: 3 #16

**16-003** Orange, Qty: 100  
Min: 3 #20 • Max: 4 #16 with 1 #20

**16-004** Yellow, Qty: 200  
Min: 1 #14 with 1 #18 • Max: 4 #14

**16-006** Red, Qty: 125  
Min: 2 #14 • Max: 2 #10 with 2 #12

Nuts, Wire



Wireguard™ color-coded wire  
connectors

**56072**  
Stop, Heavy-Duty  
Spring Door  
Polished brass



**10055**  
Tape, Duct



2" wide x 60 yards  
8.5 mil. thickness  
Polyethylene coated

CURRENT PRICING CAN BE FOUND ON OUR WEBSITE

All logos, trademarks, part numbers, photos & illustrations are intended solely for identification. Items offered for sale are not represented to be manufactured by the company that built the original equipment.

PHONE: 800-843-0903 • FAX: 800-344-1848 • WEB: [www.pdqsupplyinc.com](http://www.pdqsupplyinc.com) • FB: [facebook.com/pdqsupplyinc](https://facebook.com/pdqsupplyinc)